

FEATURES

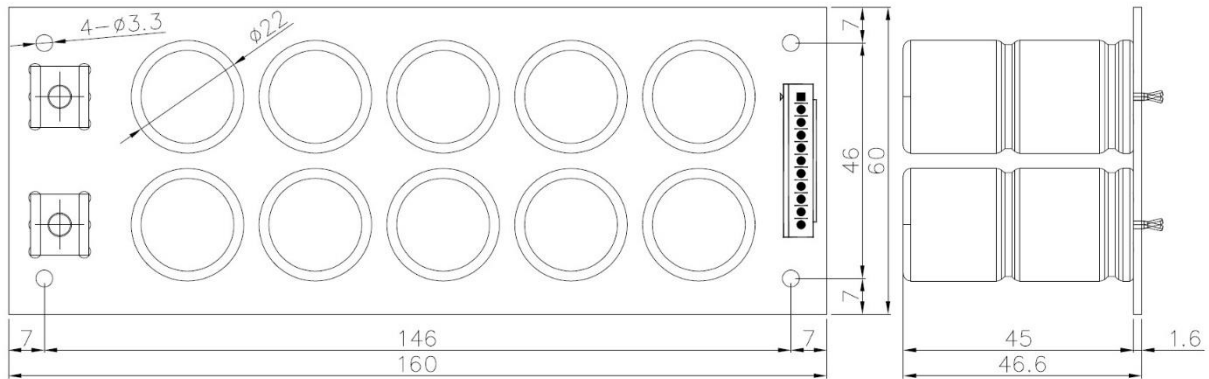
- Ultra-low internal resistance
- Highest power performance available
- Over 500,000 duty cycles
- Compact design
- Output Terminal M5 Thread

TYPICAL APPLICATIONS

- Automotive
- Industrial
- Telecommunications
- Transportation
- Uninterruptible Power Supplies(UPS)
- Wind turbines

Drawing

unit: mm



SPECIFICATION

ELECTRICAL	VEM30R0106QG
Rated Capacitance	10.0 F
Capacitance Tolerance	-10 ~ +30%
Maximum ESR _{AC} , initial	65 mΩ
Rated Voltage	28V
Rated Current(Output Terminal)	30A
Leakage(72hr) + Balancing Current, maximum	3.3mA
TEMPERATURE	
Operating Temperature	-40°C ~ 65°C
Storage Temperature	-40°C ~ 70°C
CELL VOLTAGE MANAGEMENT	
CELL Voltage Management	PASSIVE
PHYSICAL	
Mass, typical	350g
Power Terminal	M5 Thread
Recommended Torque-Terminal	7 Nm
POWER & ENERGY	
Stored Energy	1.25Wh
LIFE	
High Temperature (1000 hours)	Capacitance: -30% of specification value, ESR: Within 2 times of specification value
Cycle Life	500,000 cycles(Cycle of charge/discharge from VR to 1/2VR)